

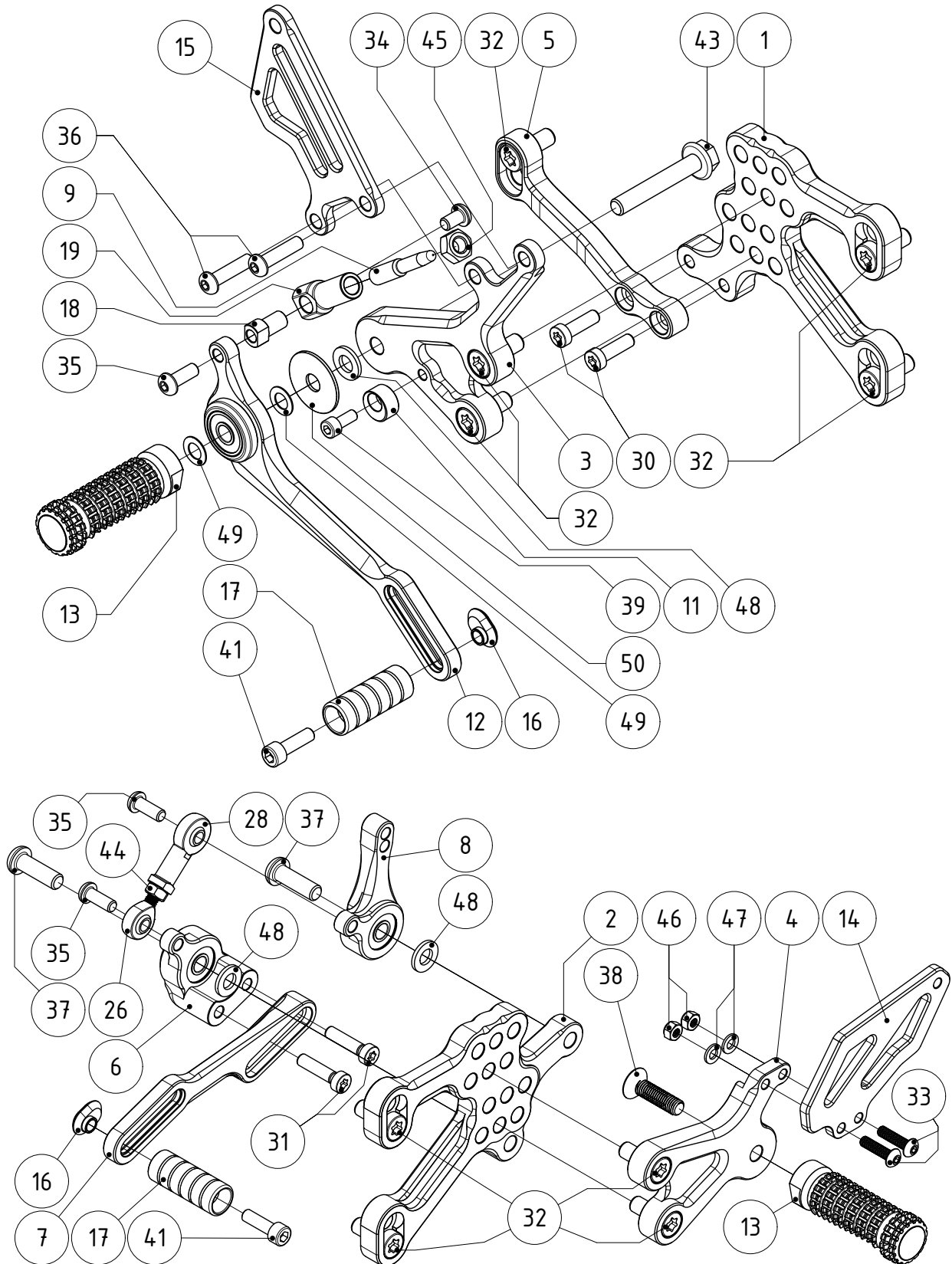
Rear set for BMW/S1000RR/10-14



RSB-010

This set is pre-assembled. Remove the factory set, mount the brake pump, shifter rod and mount the ARP racing parts rear set in place of the original set. We recommend torquing the M8 screws to **20-22 Nm** and the M6 screws to **10 Nm** with the exception of the M6x10 ISO7380 screw (**34**) which only needs to be tightened lightly. **Over-tightening the screw (34) will result in damage of the brake joint pin (18)**. We highly recommend using a low to medium strength threadlocker (our recommendation is Loctite 222). You are done, let's race!

Make sure all the screws and nuts are tight!



Position	Name	SKU (ordering number)	Qty.
1	Rear set base - right side	RSB-01-01	1
2	Rear set base - left side	RSB-01-02	1
3	Adjustable footpeg holder - right side	RSB-02-03	1
4	Adjustable footpeg holder - left side	RSB-01-04	1
5	Exhaust holder	RSB-01-05	1
6	Shift lever holder (bearings incl.)	RSB-01-06	1
7	Shift lever (bearings incl.)	RSB-01-07	1
8	Shift joint (bearings incl.)	RSB-01-08	1
9	Brake joint flail	RSB-01-09	1
11	Eccentric end stop	RSBMW-001-011	1
12	Brake pedal (bearings incl.)	RSUP-09-050	1
13	Footpeg*	RXU9001	2
14	Heel guard - left side	RSUP-03-001	1
15	Heel guard - right side	RSUP-03-11	1
16	Sliding nut	RSUP-09-006	2
17	Toe peg - fixed*	RSUP-09-005	2
18	Brake joint pin	RSUP-09-026-7	1
19	Brake joint	RSUP-09-015	1
26	Joint ball male rod end	RSUP-07-005	1
28	Joint ball female rod end	RSUP-07-008	1
29	Torx low-profile socket head screw M6x10mm	M6X10 ISO7984	1
30	Torx low-profile socket head screw M6x20mm	M6X20 ISO7984	2
31	Torx low-profile socket head screw M6x25mm	M6X25 ISO7984	2
32	Torx low-profile socket head screw M8x20mm	M8X20 ISO7984	9
33	Rounded head screw M5x20mm	M5X20 ISO7380	2
34	Rounded head screw M6x10mm	M6X10 ISO7380	1
35	Rounded head screw M6x16mm	M6X16 ISO7380	3
36	Rounded head screw M6x25mm	M6X25 ISO7380	1
37	Rounded head screw M8x25mm	M8X25 ISO7380	2
38	Flat head screw M8x30mm	M8X30 DIN7991	1
39	Socket head screw M5x12mm	M5X12 DIN912	1
41	Socket head screw M6x20mm	M6X20 DIN912	2
43	Flanged hex head screw M8x50mm	M8X50 DIN6921	1
44	Hex nut M6	M6 DIN934	1
45	Hex nut M8	M6 DIN934	1
46	Hex locknut M5	M5 DIN985	2
47	Washer 1x5x10mm	M5 DIN125A	2
48	Washer 1.6x8.4x16mm	M8 DIN125A	3
49	Stainless steel shim washer 0.5x8x14mm	0.5x8x14 DIN988 A2	2
50	Oversized washer 1.5x8.5x30mm	1.5x8.5x30 WSHR	1

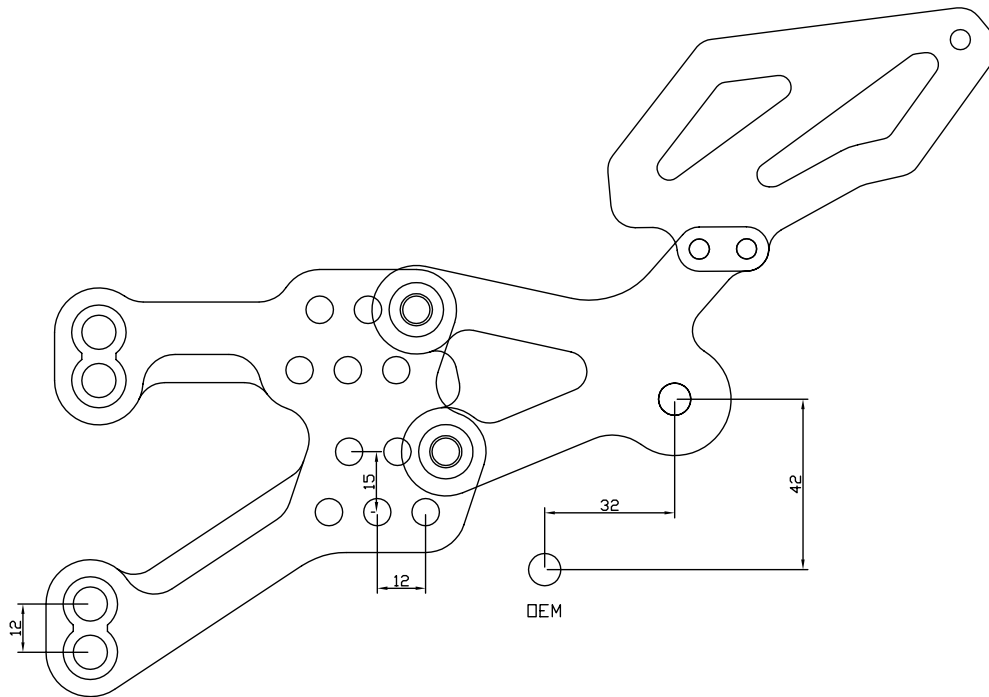
Parts marked with * can be replaced by other optional parts

Should any part suffer damage, it is simple to order a spare one. For convenience, use the [spare parts](#) section available on our website. This method ensures smooth and quick processing of your order without any hassle.

We base our rear sets on three key areas: functionality, durability and simplicity. The most important aspect is the functionality. They provide adequate ground clearance and essential feedback that is crucial for the rider to push the bike to the limit. We make our rear sets from 7075 billet aluminium, which provides exceptional durability and rigidity in comparison with the OEM rear set. In the event of a crash, the footpeg deformation zone acts as a slider. All that is required to change the footpeg is to undo one bolt. With simplicity and ease of repair in mind, our rear sets are made of the smallest number of parts possible.


Footpeg position relative to the OEM footpeg


The picture below shows available footpeg positions.



Please give us your feedback! We would be thrilled if you let us know about your experiences with our products. You can share your photos on our Facebook page or Instagram profile.

 [facebook.com/arpracingparts](https://www.facebook.com/arpracingparts)

 [instagram.com/arp_racingparts](https://www.instagram.com/arp_racingparts)

 twitter.com/arp_racingparts

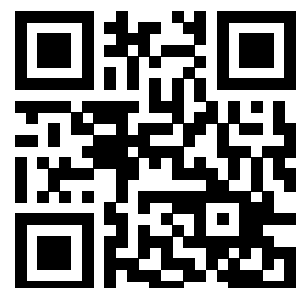
Final inspection before shipment. Product meets our highest standards and is in perfect condition.

Approved by: _____

Thanks for choosing ARP racing parts. Since delivering parts in perfect condition is our utmost priority, we are forced to add paper and plastic into packaging. We would, therefore, like to ask you to sort these materials into appropriate recycling containers.

Thank you for helping us protect our planet.

[arp-racingparts.com](https://www.arp-racingparts.com)



Shift kinematics adjustment

To maintain optimal shift kinematics, keep 57mm between centers of the joint ball rod ends.

