

Dashboard cover for BMW/S1000RR/19-25

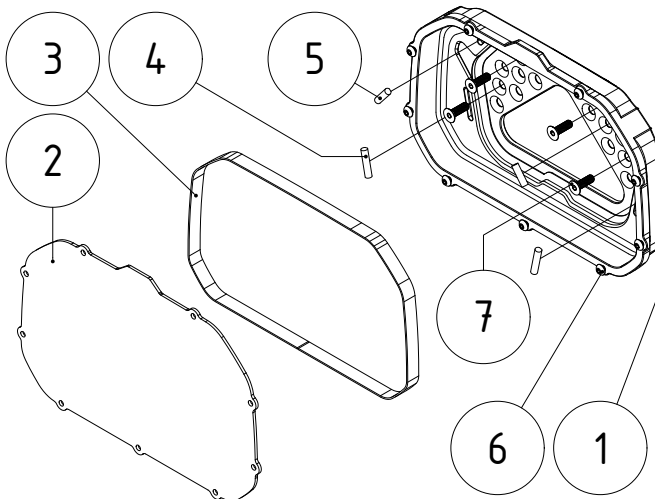


DCB01

This product does NOT fit the OEM upper fairing stay bracket! The installation may require customisation of the upper fairing stay bracket. Remove the protective film from the polycarbonate before use!

This product is for racing purposes only and can be only used on aftermarket upper fairing stay brackets. It requires drilling 2-4 custom $\varnothing 5\text{mm}$ mounting holes (we recommend using at least three bolts to achieve optimal rigidity). Dashboard cover features 17 mounting holes to suit most of the aftermarket upper stay brackets. The fitting process should be as follows.

1. Remove the dashboard
2. Check the fit of the protector and select the most suitable holes
3. Mark the spots for holes through the holes in the protector
4. Center punch marked spots and drill the holes, use $\varnothing 5\text{mm}$ drill
5. Secure the protector using the included M5 flat head screws and M5 nuts
6. Reinstall the dashboard (pay attention not to tear the tape, the dashboard has sharp edges)
7. Remove the protective film and secure the polycarbonate using the included M4 rounded head screws
8. You are done, Let's race!



Position	Name	SKU (ordering number)	Qty.
1	Dashboard cover	DCB011	1
2	Polycarbonate	DCB012	1
3	EPDM tape 2x9x620mm	EPDM 2X9X620	1
4	Rubber seal Ø4.5x20mm	OR 4.5X20	2
5	Rubber seal Ø4.5x15mm	OR 4.5X15	2
6	Rounded head screw M4x8mm	M4X8 ISO7380 A2	9
7	Flat head screw M5x16mm	M5X16 DIN7991 A2	4
8	Stainless steel hex locknut M5	M5 DIN985 A2	4


If any part suffers damage or is lost, it is simple to order a spare part. For maximum convenience, we have listed the SKU (storage-keeping unit) code in the previous table. You can order spare parts via email info@arp-racingparts.com. Enter spare parts in the subject. State the SKU and quantity of parts you want to order as well as the shipping address. This procedure ensures the smoothest and quickest processing of your order.

Dashboard covers are a useful piece of protective equipment. They serve as impact absorbers in case of a crash and the polycarbonate protects the display of the dashboard from scratches. Our dashboard covers are made from aluminium to keep them light and rigid. Aluminium is a great heat conductor, and it works great as a heatsink for the dashboard on sunny days. We use polycarbonate because it is less prone to cracking, and it does not shatter unlike the plexiglass; therefore, it is much safer to use. Various mounting positions are available to suit every racer's individual preferences.

Please give us your feedback! We would be thrilled if you let us know about your experiences with our products. You can share your photos on our Facebook page or Instagram profile.

 facebook.com/arpracingparts

 instagram.com/arp_racingparts

 twitter.com/arp_racingparts

Final inspection before shipment. Product meets our highest standards and is in perfect condition. Approved by: _____

Thanks for choosing ARP racing parts. Since delivering parts in perfect condition is our utmost priority, we are forced to add paper and plastic into packaging. We would, therefore, like to ask you to sort these materials into appropriate recycling containers. **Thank you for helping us protect our planet.**
arp-racingparts.com

Find more here!

