

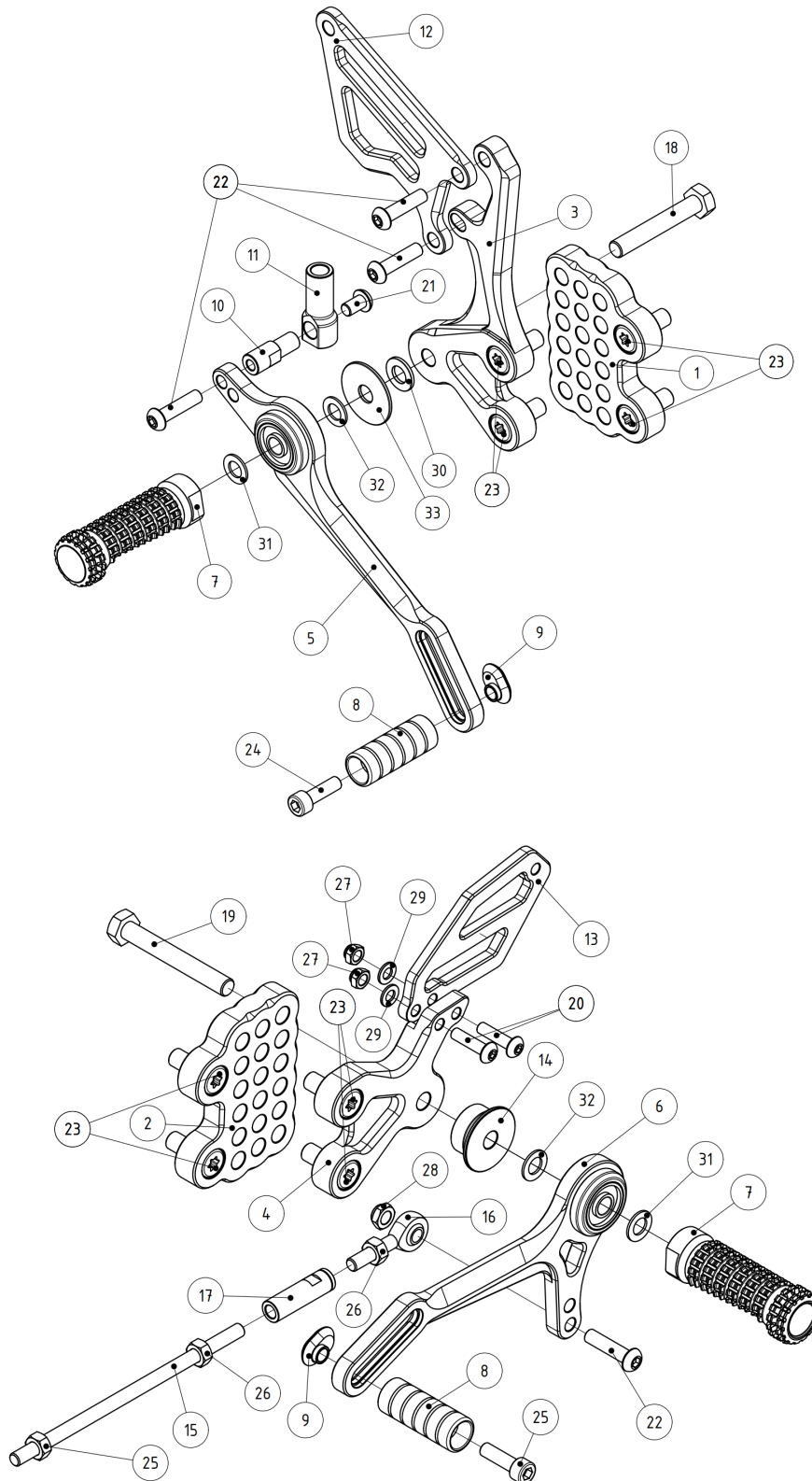
Rear set for Suzuki/GSX-R1000/05-06



RSS-06

This set is pre-assembled. Remove the factory set, mount the brake pump, shifter rod and mount the ARP racing parts rear set in place of the original set. We recommend torquing the M8 screws to **20-22 Nm** and the M6 screws to **10 Nm** with the exception of the M6x10 DIN7380 screw (**21**) which only needs to be tightened lightly. **Over-tightening the screw (21) will result in damage of the brake joint pin (10).** We highly recommend using a low to medium strength threadlocker (our recommendation is Loctite 222). You are done, let's race!

Make sure all the screws and nuts are tight!



Position	Name	SKU (ordering number)	Qty.
1	Rear set base - right side	RSS-06-01	1
2	Rear set base - left side	RSS-06-02	1
3	Adjustable footpeg holder - right side	RSS-06-03	1
4	Adjustable footpeg holder - left side	RSS-06-04	1
5	Brake lever	RSUP-01-10	1
6	Shift lever	RSUP-02-01	1
7	Footpeg*	RXU9001	2
8	Toe peg*	RSUP-09-005	2
9	Slider nut	RSUP-09-006	2
10	Break joint pin	RSUP-09-026-15	1
11	Break joint	RSUP-09-015	1
12	Heel guard-right side	RSUP-03-13	1
13	Heel guard-left side	RSUP-03-03	1
14	Shift lever spacer 30-8-13	RSUP-05-002	1
15	Shifter rod 135mm	RSUP-04-03-135	1
16	Joint ball left-hand thread male rod end	RSUP-07-006	1
17	Sleeve nut M6L (left-hand thread)	RSUP-04-02	1
18	Flanged hex head screw M8x50	M8x50 DIN6921	1
19	Flanged hex head screw M8x60	M8x60 DIN6921	1
20	Rounded head screw M5x20	M5x20 DIN7380	2
21	Rounded head screw M6x10	M6x10 DIN7380	1
22	Rounded head screw M6x25	M6x25 DIN7380	4
23	Torx low profile socket head screw M8x20	M8x20 DIN7984	8
24	Socket head screw M6x20	M6x20 DIN912	2
25	Hex nut M6	M6 DIN934	1
26	Hex left-hand thread nut M6	M6L DIN934	2
27	Hex locknut M5	M5 DIN985	2
28	Hex locknut M6	M6 DIN985	1
29	Washer 5.3	M5 DIN125A	2
30	Washer 8.4	M8 DIN125A	1
31	Washer 8x14x0.5	8x14x0.5 DIN988	2
32	Washer 8x14x1.0	8x14x1.0 DIN988	2
33	Oversized washer 8.4x30x1.5	8.4x30x1.5 WASHER	1

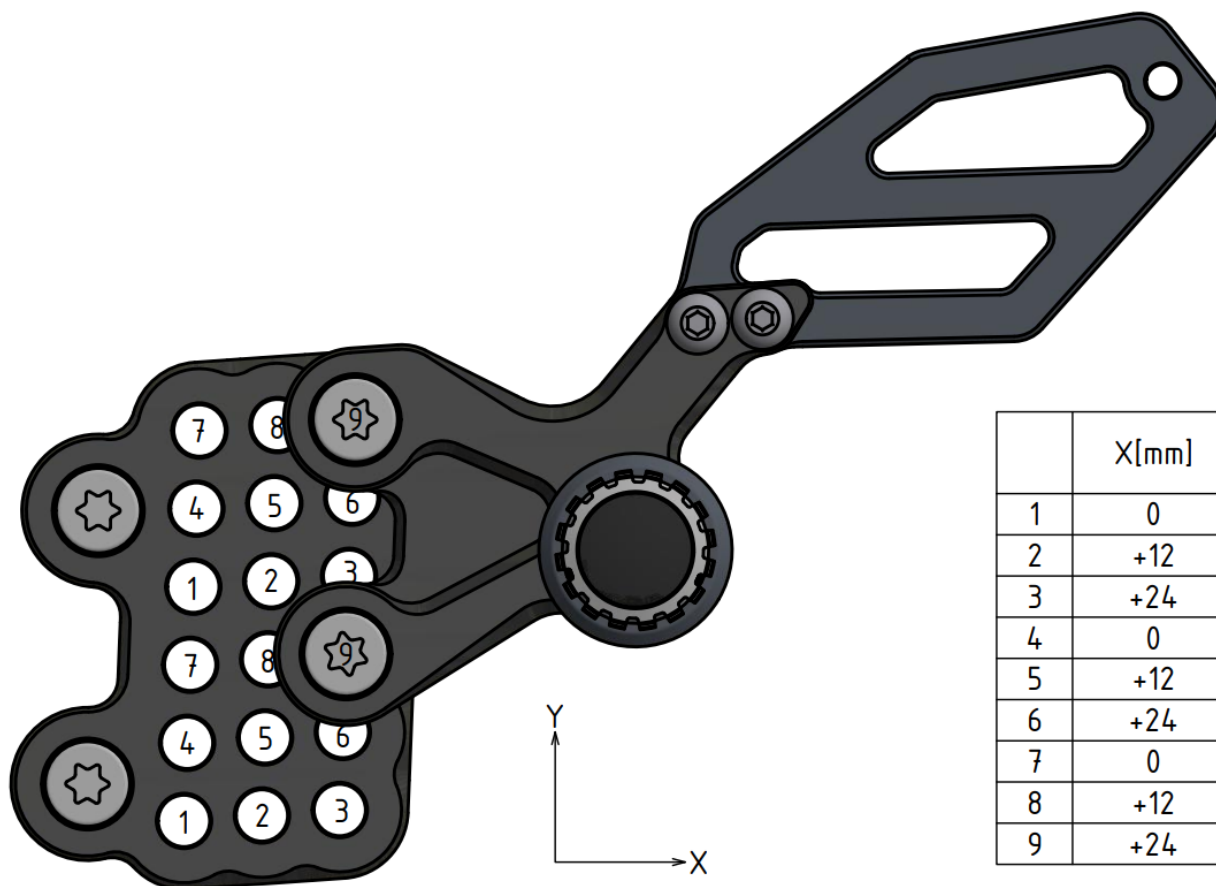
Parts marked with * can be replaced by other optional parts

Should any part suffer damage, it is simple to order a spare one. For convenience, use the [spare parts](#) section available on our website. This method ensures smooth and quick processing of your order without any hassle.

We base our rear sets on three key areas: functionality, durability and simplicity. The most important aspect is the functionality. They provide adequate ground clearance and essential feedback that is crucial for the rider to push the bike to the limit. We make our rear sets from 7075 billet aluminium, which provides exceptional durability and rigidity in comparison with the OEM rear set. In the event of a crash, the footpeg deformation zone acts as a slider. All that is required to change the footpeg is to undo one bolt. With simplicity and ease of repair in mind, our rear sets are made of the smallest number of parts possible.

Footpeg position relative to the OEM footpeg


The picture below shows all available footpeg positions. Each numbered position corresponds to one table row. In the row, you will find the distance from the OEM footpeg in both directions.




	X[mm]	Y[mm]
1	0	+6
2	+12	+6
3	+24	+6
4	0	+18
5	+12	+18
6	+24	+18
7	0	+30
8	+12	+30
9	+24	+30

Please give us your feedback! We would be thrilled if you let us know about your experiences with our products. You can share your photos on our Facebook page or Instagram profile.

 facebook.com/arpracingparts

 instagram.com/arp_racingparts

 twitter.com/arp_racingparts

Final inspection before shipment. Product meets our highest standards and is in perfect condition.

Approved by: _____

Thanks for choosing ARP racing parts. Since delivering parts in perfect condition is our utmost priority, we are forced to add paper and plastic into packaging. We would, therefore, like to ask you to sort these materials into appropriate recycling containers.

Thank you for helping us protect our planet.

arp-racingparts.com

