

Clip ons for BMW/S1000RR/19-20

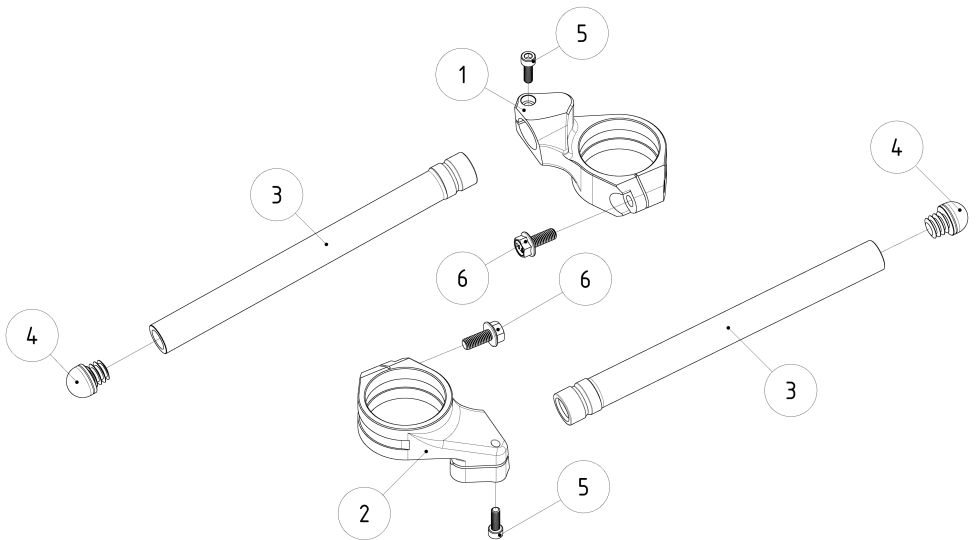


CO5503

This product does NOT fit the OEM upper triple clamp! We recommend using our triple clamp (TCB01)

This product is for racing purposes only and may be used only in combination with aftermarket upper triple clamps with a wall thickness of **less than 7.5 mm**. Clip ons feature a variety of possible positions. The fitting process should be as follows.

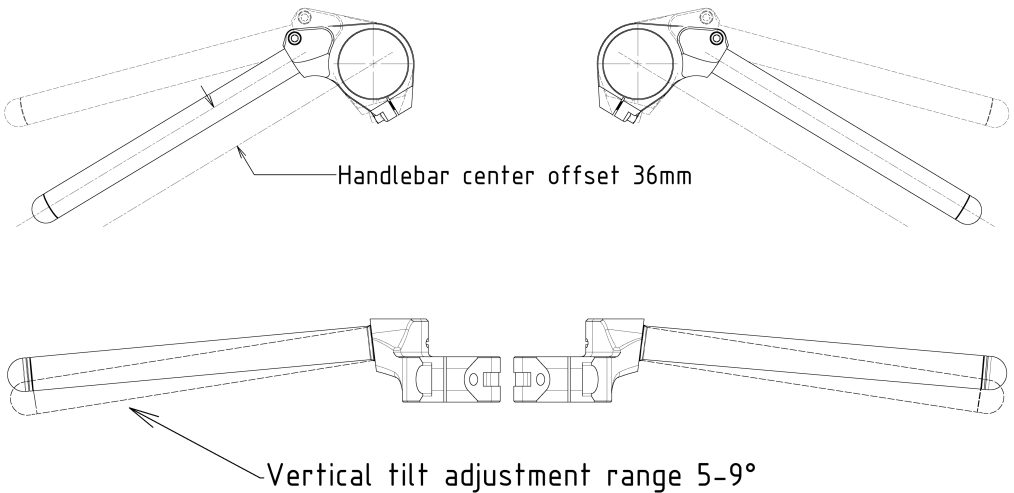
1. Strip your handlebars (grips, brake lever, clutch lever, etc.)
2. Remove handlebars
3. Remove upper triple clamp
4. Install ARP racing parts handlebars
5. Tighten the M6 screws to **10Nm** and the M8 screws to **20Nm**
6. Install back everything you removed earlier from your handlebars
7. Put the upper triple clamp back
8. You are done, Let's race!



Position	Name	SKU (ordering number)	Qty.
1	Left clamp	CO5503L	1
2	Right clamp	CO5503R	1
3	Handlebar tube	COU104	2
4	Handlebar end cap	COU301	2
5	Torx socket head screw M6x25mm	M6X25 DIN912 A2	2
6	Flanged hex head screw M8x25mm	M8X25 DIN6921 A2	2

If any part suffers damage or is lost, it is simple to order a spare part. For maximum convenience, we have listed the SKU (storage-keeping unit) code in the previous table. You can order spare parts via email info@arp-racingparts.com. Enter spare parts in the subject. State the SKU and quantity of parts you want to order as well as the shipping address. This procedure ensures the smoothest and quickest processing of your order.

The drawing bellow contains the range of possible adjustments.




Clip ons are an excellent addition for any racer, being lighter and sturdier than the OEM handlebars. Handlebars can be adjusted to a variety of positions to suit every racer's individual preferences.

Please give us your feedback! We would be thrilled if you let us know about your experiences with our products. You can share your photos on our Facebook page or Instagram profile.

 facebook.com/arpracingparts

 instagram.com/arp_racingparts

 twitter.com/arp_racingparts

Final inspection before shipment. Product meets our highest standards and is in perfect condition.

Approved by: _____

Thanks for choosing ARP racing parts. Since delivering parts in perfect condition is our utmost priority, we are forced to add paper and plastic into packaging. We would, therefore, like to ask you to sort these materials into appropriate recycling containers. **Thank you for helping us protect our planet.**
arp-racingparts.com

Find more here!

